

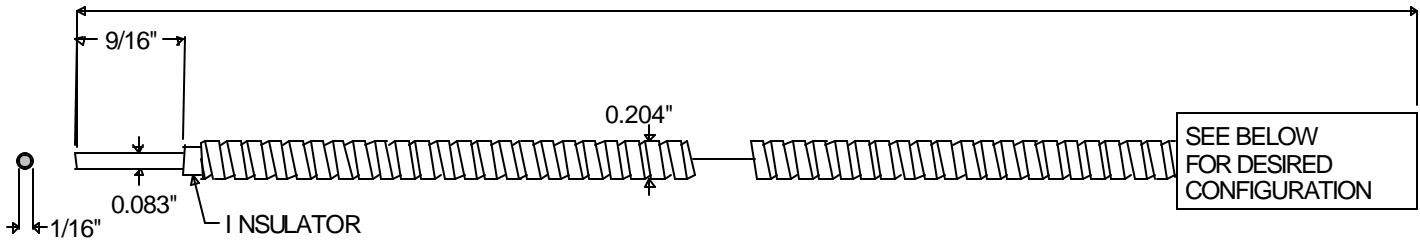
OPPOSED CONSTRUCTIONS FOR JAPANESE PHOTOELECTRIC SENSORS

We have developed a line of glass fiber optic assemblies that will add American availability and customizing to the Japanese photo-electric controls that were designed for the plastic 1 mm fiber with 2.2 mm diameter poly jacketing. Since not all applications can be serviced by plastic, glass fibers have their place where heat, and solvents would damage the plastic fibers, or where high mechanical strengths are needed. Utilizing tooling and apertures from our previous designs for large diameter American photoelectrics, we have increased the fiber bundle diameter to 1/16", adding more sensing power than 1mm glass by approximately 50% and as a bonus we have geometry's with American threads and dimensions. Also note that the input tip is insulated to preclude any antenna effect at high sensitivities with this all stainless steel construction.

OPPOSED CONSTRUCTIONS FOR JAPANESE PHOTOELECTRIC SENSORS

FITS OMRON E3X-A11, MICRO SWITCH FE5F-1MC6-M, MITSUBISHI RAYON, OPCON, OPTEX, SUNX, ETC.
 UNLESS OTHERWISE NOTED, ILLUSTRATIONS ARE FULL SCALE, DIMENSIONS ARE IN INCHES
 BUNDLE DIAMETER: 1/16"

STANDARD LENGTH 24", 36", OR 72"
 Custom Lengths up to 30 feet



ORDER CODE FORMAT	SJ6	LENGTH	CONFIGURATION
		ORDER CODE	SJ6 24 FLB SJ6 36 FLB SJ6 72 FLB
		ORDER CODE	SJ6 24 FT SJ6 36 FT SJ6 72 FT
		ORDER CODE	SJ6 24 FLA SJ6 36 FLA SJ6 72 FLA
		ORDER CODE	SJ6 24 FH SJ6 36 FH SJ6 72 FH
1/16" BUNDLE CONFIGURATIONS CONTINUED PAGE 11			

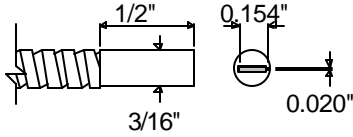
OPPOSED CONSTRUCTIONS FOR JAPANESE PHOTO-ELECTRIC CONTROLS

A continuation of our rectangular apertures available for Japanese photoelectric sensors. Please note the different position of the rectangular aperture while maintaining the same exterior shape.

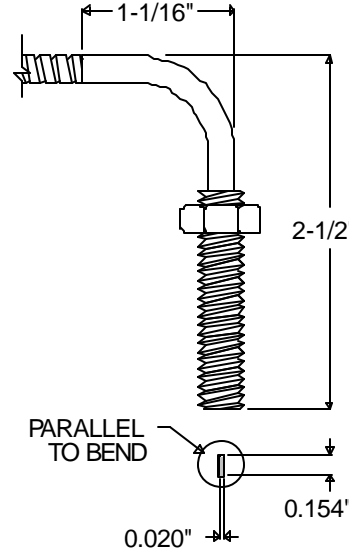
OPPOSED CONSTRUCTIONS FOR JAPANESE PHOTOELECTRIC SENSORS

FITS OMRON E3X-A11, MICRO SWITCH FE5F-1MC6-M, MITSUBISHI RAYON, OPCON, OPTEX, SUNX, ETC.
 1/16" BUNDLE CONFIGURATIONS CONTINUED

ORDER CODE	SJ6	24	FS
	SJ6	36	FS
	SJ6	72	FS

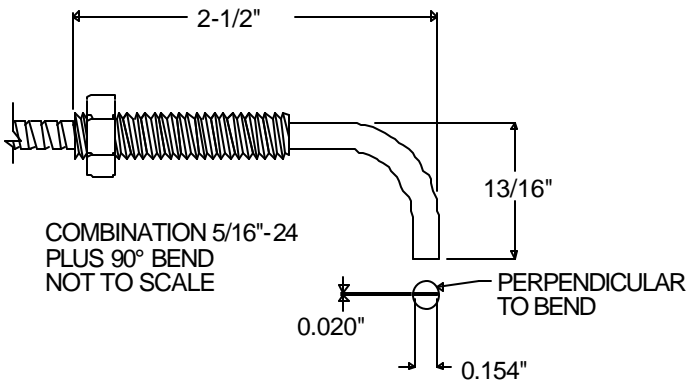


ORDER CODE	SJ6	24	FLTB
	SJ6	36	FLTB
	SJ6	72	FLTB



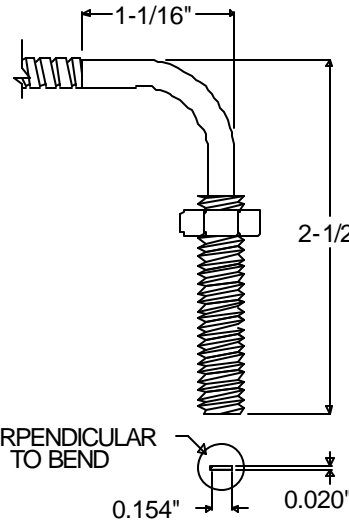
COMBINATION 90° BEND PLUS 5/16"-24 THREAD NOT TO SCALE

ORDER CODE	SJ6	24	FLTA
	SJ6	36	FLTA
	SJ6	72	FLTA



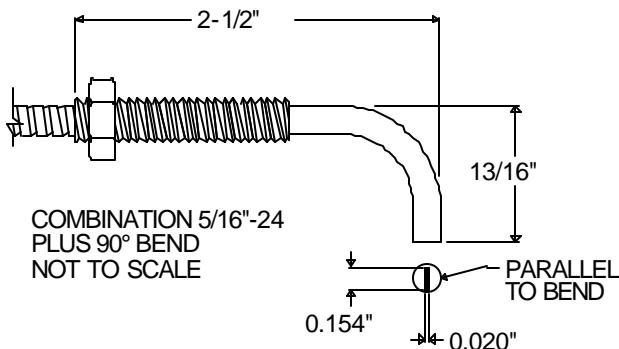
COMBINATION 5/16"-24 PLUS 90° BEND NOT TO SCALE

ORDER CODE	SJ6	24	FLTA
	SJ6	36	FLTA
	SJ6	72	FLTA



COMBINATION 90° BEND PLUS 5/16"-24 THREAD NOT TO SCALE

ORDER CODE	SJ6	24	FTLB
	SJ6	36	FTLB
	SJ6	72	FTLB



COMBINATION 5/16"-24 PLUS 90° BEND NOT TO SCALE

1/16" BUNDLE CONFIGURATIONS CONTINUED PAGE 13

OPPOSED CONSTRUCTIONS FOR JAPANESE PHOTOELECTRIC CONTROLS

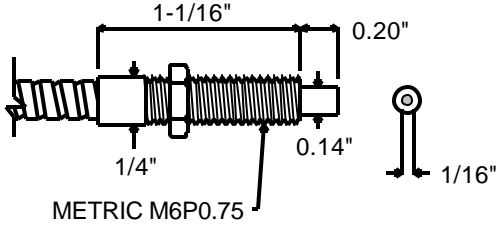
Order codes SJ6-24-MT6, SJ6-24-MT4 are made to help field installation by making the most popular Japanese threads utilized on their plastic available with our glass threaded fibers to our glass. We have even put the obsolete M2.6X.45 end tip so that the available small Japanese lens can be attached.

Order codes SJ6-24-AT, SJ6-24-LT are available with our F1.0 lens assembly for extended sensing range.

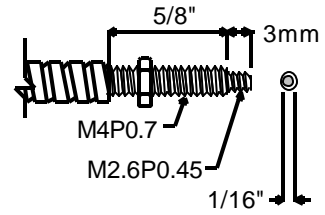
OPPOSED CONSTRUCTIONS FOR JAPANESE PHOTOELECTRIC SENSORS

FITS OMRON E3X-A11, MICRO SWITCH FE5F-1MC6-M, MITSUBISHI RAYON, OPCON, OPTEX, SUNX, ETC.
 1/16" BUNDLE CONFIGURATIONS CONTINUED

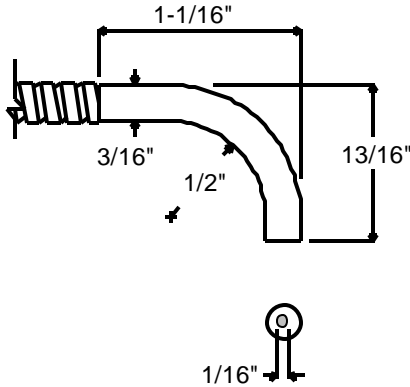
ORDER CODE	SJ6	24	MT6
	SJ6	36	MT6
	SJ6	72	MT6



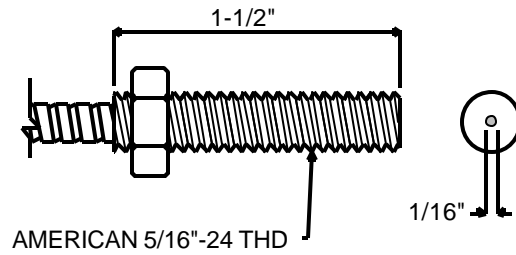
ORDER CODE	SJ6	24	MT4
	SJ6	36	MT4
	SJ6	72	MT4



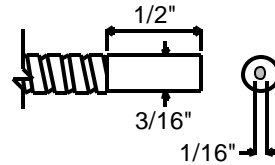
ORDER CODE	SJ6	24	L
	SJ6	36	L
	SJ6	72	L



ORDER CODE	SJ6	24	AT
	SJ6	36	AT
	SJ6	72	AT

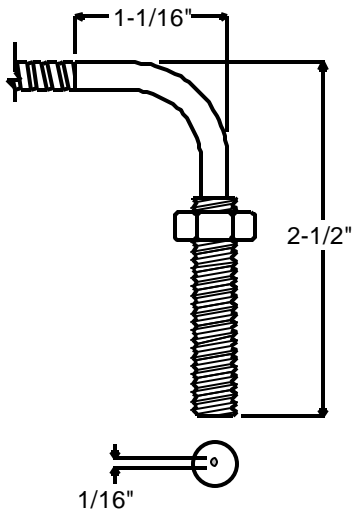


ORDER CODE	SJ6	24
	SJ6	36
	SJ6	72



ORDER CODE	SJ6	24	LT
	SJ6	36	LT
	SJ6	72	LT

COMBINATION 90°
 BEND PLUS
 5/16"-24
 NOT TO SCALE



ORDER CODE	SJ6	24	TL
	SJ6	36	TL
	SJ6	72	TL

COMBINATION 5/16"-24
 PLUS 90° BEND
 NOT TO SCALE

