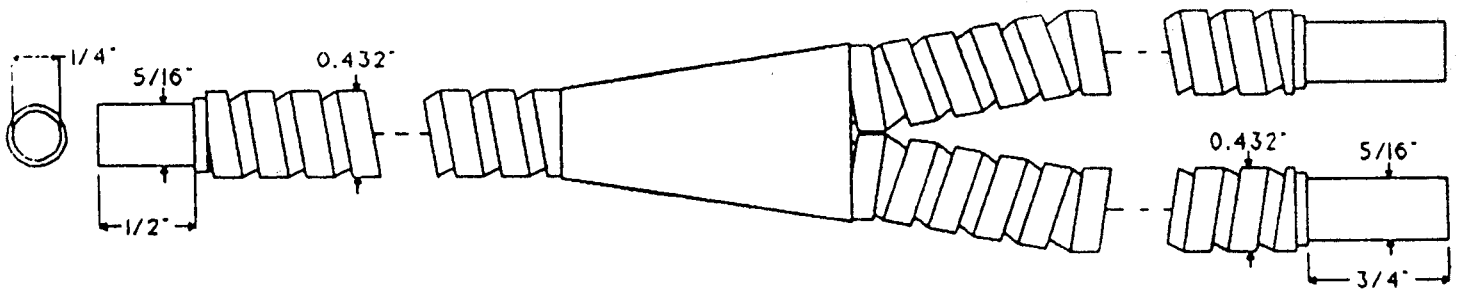


GLASS LIGHT GUIDES

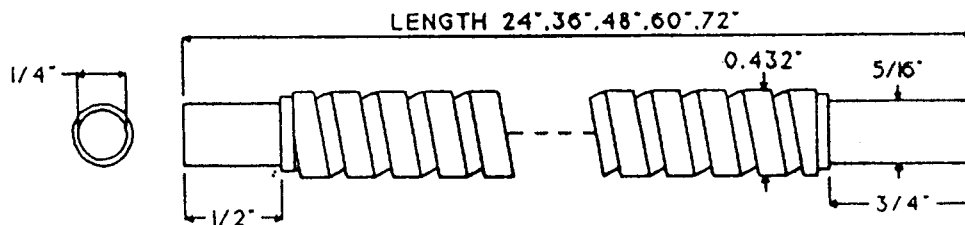
UNLESS OTHERWISE NOTED ILLUSTRATIONS ARE FULL SCALE DIMENSIONS ARE IN INCHES

ORDER CODE D4-24



FOR FIXED DUAL LIGHTING IN MICROSCOPES, AND GENERAL LABORATORY USE.
ACCEPTS F1.0 LENS ASSEMBLY

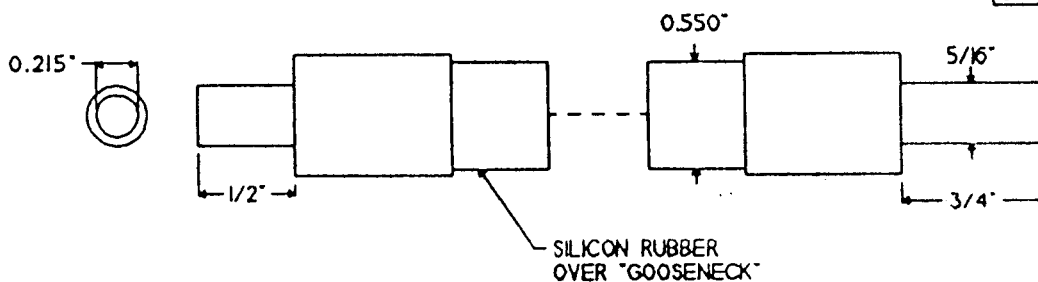
ORDER CODE S4-24



- S4-36
- S4-48
- S4-60
- S4-72

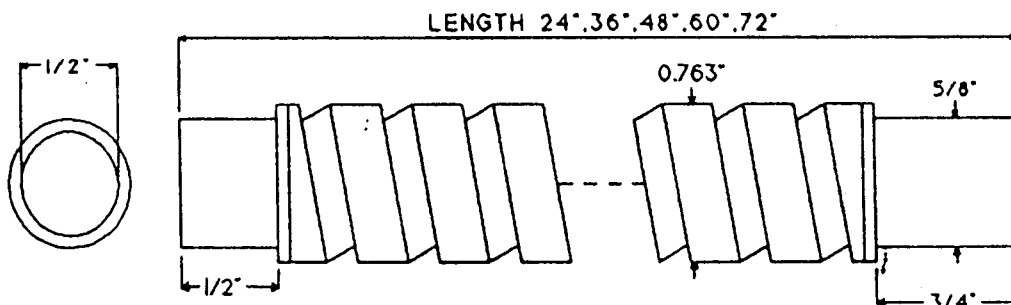
SINGLE LIGHT GUIDE FOR GENERAL LABORATORY USE.
ACCEPTS F1.0 LENS ASSEMBLY

ORDER CODE 8.215-18-G



LAB OR INDUSTRY USE. COVERED WITH SILICONE RUBBER FOR RESISTANCE TO LIQUID SPILLS
ACCEPTS F1.0 LENS ASSEMBLY

ORDER CODE S2-24

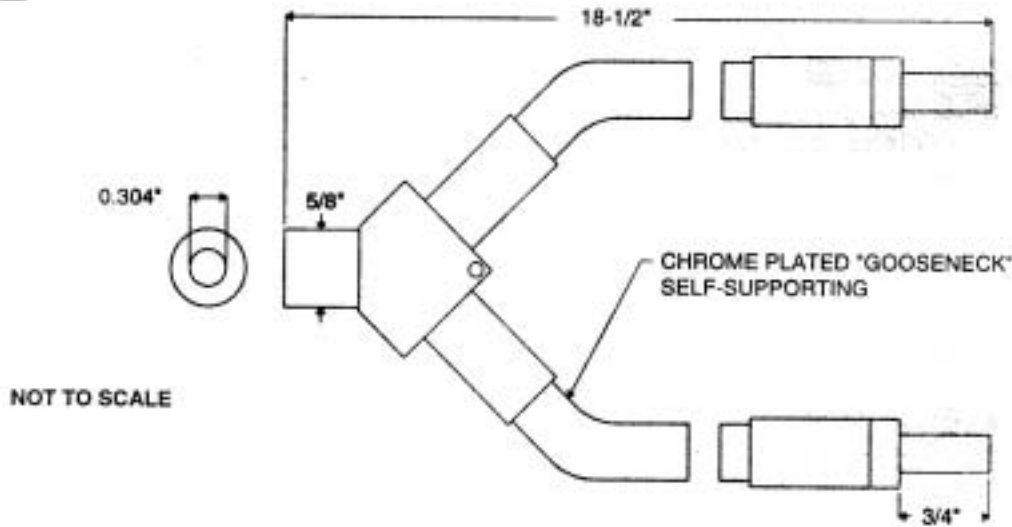


- S2-36
- S2-48
- S2-60
- S2-72

LARGEST BUNDLE DIAMETER. USED IN CROSS LIGHTING. REPLACES LARGE NUMBER OF OPTICAL COMPONENTS IN LIGHT GUIDING SYSTEM DELETING MIRROR/PRIISM/LENS IN RIGHT ANGLE OR COMPLEX LIGHT PATH SYSTEMS.

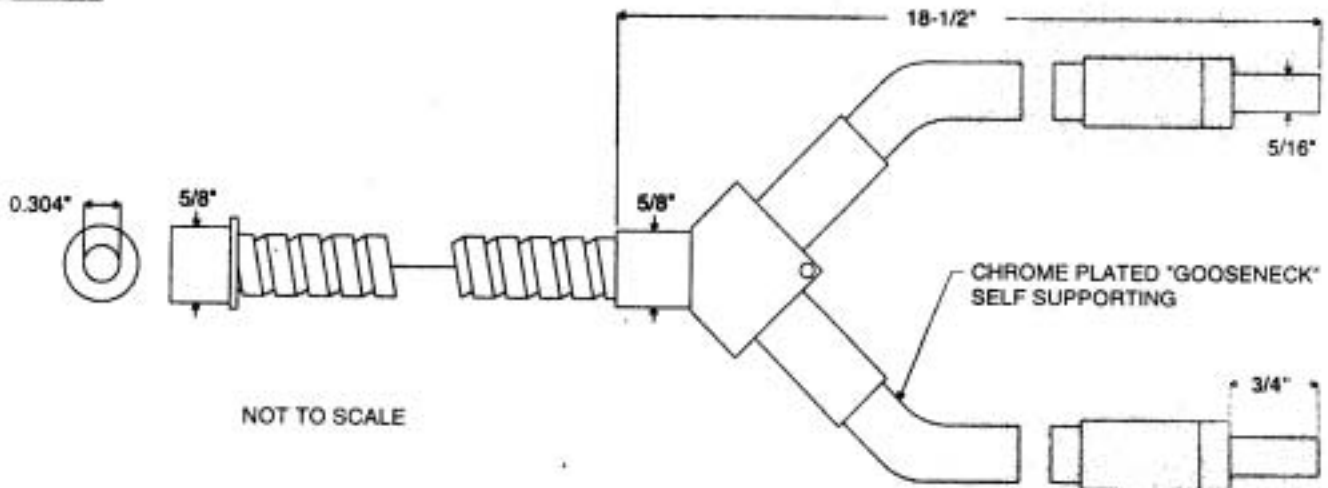
GLASS LIGHT GUIDES

SYSTEM 1



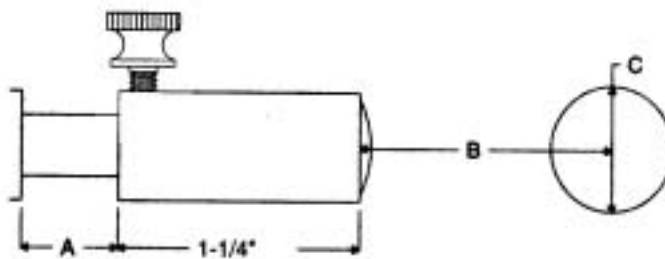
SOLID CONSTRUCTION WITH CRIMPED CONNECTIONS AT TRANSITION AND TERMINATION. ACCEPTS F1.0 LENS ASSEMBLY

SYSTEM 2



SOLID CONSTRUCTION WITH CRIMPED CONNECTIONS AT TRANSITION AND TERMINATION. ACCEPTS F1.0 LENS ASSEMBLY

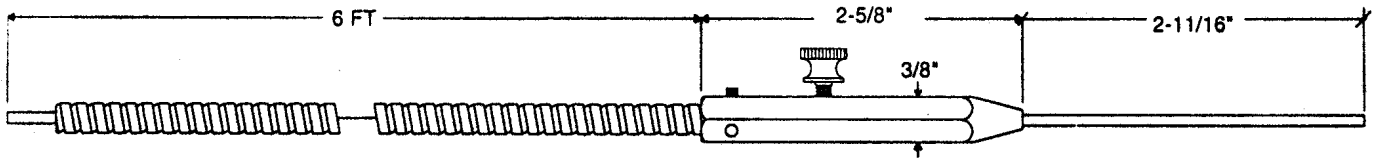
F1.0 LENS ASSEMBLY



| PRE-SET DIMENSION | DISTANCE | SPOT SIZE |
|-------------------|----------|-----------|
| A | B | C |
| 3/16" | 1" | 1/4" |
| 1/4" | 2-15/16" | 3/4" |
| 5/8" | 6" | 1-1/2" |

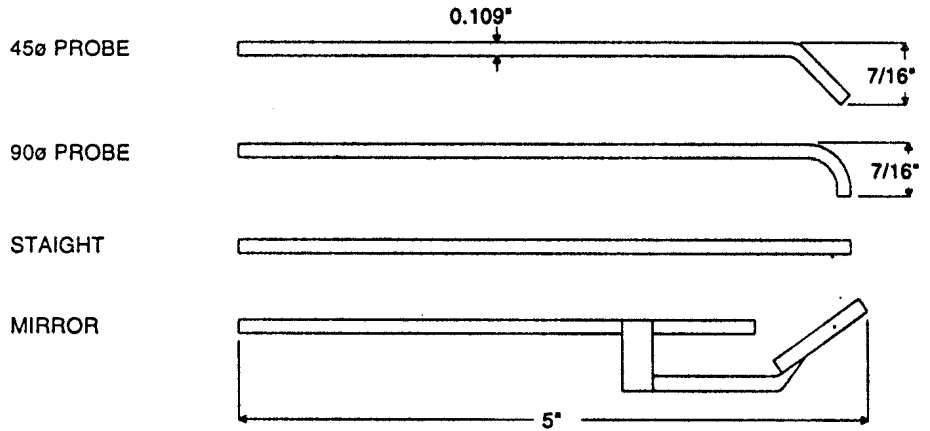
GLASS LIGHT PROBES

SYSTEM 3



DETACHABLE PROBE KIT

RUGGED CONSTRUCTION WITH STAINLESS STEEL METAL HOSE FOR INDUSTRIAL, MEDICAL, AND LABORATORY USES. PROBES ARE AUTOCLAVEABLE.



LOW COST PLASTIC LIGHT GUIDES WITH CRIMP ON BRASS FERRULES

| ORDER CODE | PLG1 | ORDER CODE | PLG164 | ORDER CODE | PLG264 |
|---------------------|------|-------------------------|--------|--------------------------|--------|
| 1mm JACKETED FIBER | | 64 0.01" JACKETED FIBER | | 64 0.01" JACKETED FIBERS | |
| | | | | | |
| 2 m STANDARD LENGTH | | 2 m STANDARD LENGTH | | 2 m STANDARD LENGTH | |

PLASTIC FIBER DATA COMMUNICATION JUMPER

ORDER CODE SMPJ12

1 mm JACKETED FIBER SMA-905 ONE END OR BOTH ENDS AVAILABLE AS DUPLEX FIBER ALSO

HIGHEST TRANSMISSION 12dB/100m @ 650nm FOR "FIBER TO HOME" AND "CAN OPTICAL CONTROLLER NETWORKS".

