

OPPOSED CONSTRUCTIONS WITH BANNER INPUT

Order codes S8-24, S8-24-L, S8-24-T will solve 80% of all fiber optic sensing applications. The balance of these illustrations describe other handy geometries to solve less straight forward applications all available from stock.

Order codes S8-24-FM, S8-24-F are designed for edge detection and are available as an injection molded construction for high volume and low cost applications.

Order codes S8-24-LT, S8-24-TL offer mechanical mounting options to make installing and adjusting to one another easier.

Order codes S8-24-T, S8-24-LT are available with our F1.0 threaded lens assembly to increase sensing distance dramatically.

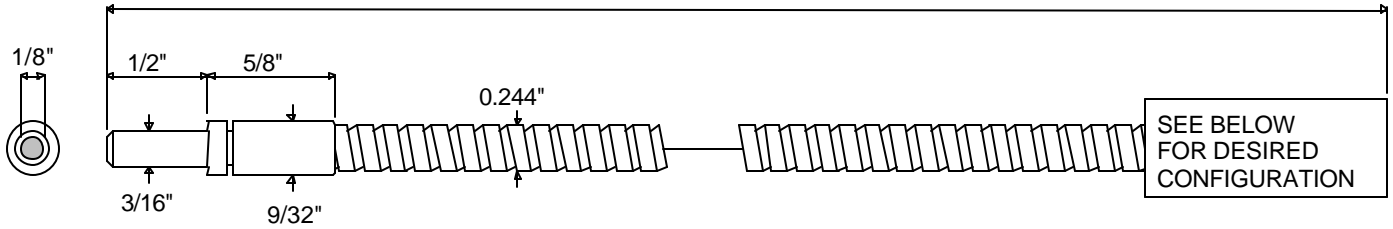
Available in any length to 30"

Standard Ordering lengths of: 24", 36" & 72".

OPPOSED CONSTRUCTIONS WITH BANNER INPUT

UNLESS OTHERWISE NOTED, ILLUSTRATIONS ARE FULL SCALE, DIMENSIONS ARE IN INCHES
BUNDLE DIAMETER: 1/8"

STANDARD LENGTH 24", 36", OR 72"
Also Available in custom lengths up to 30 Feet



| ORDER CODE FORMAT | S8 | LENGTH | CONFIGURATION |
|---|------------|----------------------------------|---------------|
| | ORDER CODE | S8 24 L S8 36 L S8 72 L | |
| | ORDER CODE | S8 24 T S8 36 T S8 72 T | |
| | ORDER CODE | S8 24 S8 36 S8 72 | T |
| | ORDER CODE | S8 24 FM S8 36 FM S8 72 FM | |
| | ORDER CODE | S8 24 F S8 36 F S8 72 F | |
| | ORDER CODE | S8 24 LT S8 36 LT S8 72 LT | |
| COMBINATION 90° BEND PLUS 5/16"-24 THREAD NOT TO SCALE | ORDER CODE | S8 24 TL S8 36 TL S8 72 TL | |
| | | | |

OPPOSED CONSTRUCTIONS WITH BANNER INPUT

Order codes S071-24-S, S071-24-L, S071-24-B can be lengthened or shortened to meet your specific requirements. These smaller bundle diameters stuffed in stainless hypodermic needle tubing allow approach to difficult sensing areas and are optimized for small targets.

Order code S8-24-FS is a small rectangular fiber optic aperture that is very effective at sensing small rectangular web marks or for discerning subtle pastel colors against a low contrast web background.

Order code S8-24-FH offers the same advantages as above. Many customers prefer this injection molded termination that allows excellent alignment accuracy when clamped on the 3/16" diameter. This item is also made for volume applications.

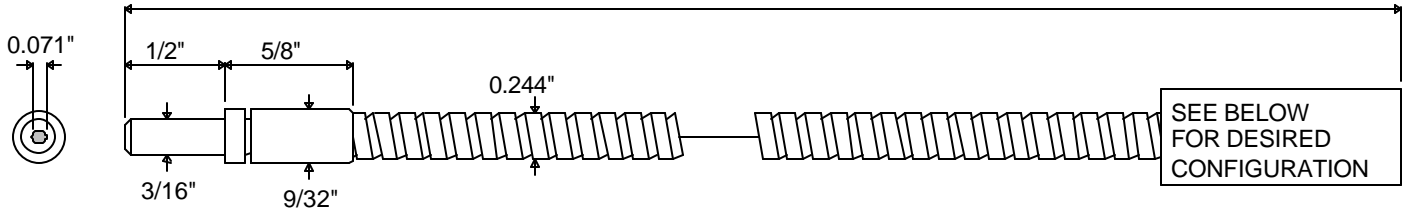
Standard Lengths 24", 36" or 72"

Custom Lengths up to 30"

1 OPPOSED CONSTRUCTIONS WITH BANNER INPUT

UNLESS OTHERWISE NOTED, ILLUSTRATIONS ARE FULL SCALE, DIMENSIONS ARE IN INCHES
 BUNDLE DIAMETER: 0.071"

Standard Lengths 24", 36", 72"
 Custom Lengths up to 30 feet

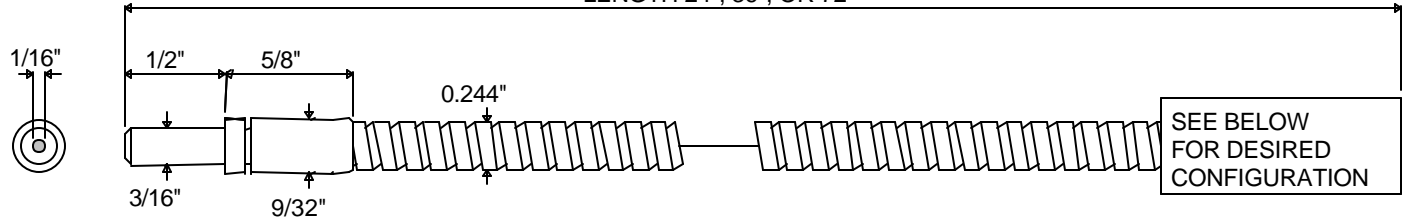


| ORDER CODE FORMAT | S071 | LENGTH | CONFIGURATION |
|-------------------|------|------------|---------------|
| | | ORDER CODE | S071 24 S |
| | | | S071 36 S |
| | | | S071 72 S |
| | | ORDER CODE | S071 24 B |
| | | | S071 36 B |
| | | | S071 72 B |

| ORDER CODE FORMAT | S071 | LENGTH | CONFIGURATION |
|-------------------|------|------------|---------------|
| | | ORDER CODE | S071 24 L |
| | | | S071 36 L |
| | | | S071 72 L |

BUNDLE DIAMETER: 1/16"

LENGTH 24", 36", OR 72"



| ORDER CODE FORMAT | S6 | LENGTH | CONFIGURATION |
|-------------------|----|------------|---------------|
| | | ORDER CODE | S6 24 FS |
| | | | S6 36 FS |
| | | | S6 72 FS |
| | | ORDER CODE | S6 24 FH |
| | | | S6 36 FH |
| | | | S6 72 FH |

1/16" BUNDLE CONFIGURATIONS CONTINUED PAGE 7

OPPOSED CONSTRUCTIONS WITH BANNER INPUT

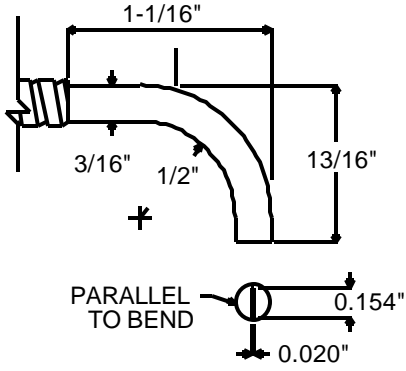
This page is a continuation of useful rectangular apertures to help solve those "insitu" mounting problems. Please note the different position of the rectangular aperture while maintaining the same exterior shape. For example order code S6-24-FLA has a vertical rectangular aperture while order code S6-24-FLB has a horizontal.

Order codes S6-24-FT, S6-24-FLTB, S6-24-FLTA are available with are F1.0 threaded lens assembly to increase sensing range or by careful alignment detect small changes in geometries to be sensed remotely. Please consult us for help if this is of interest.

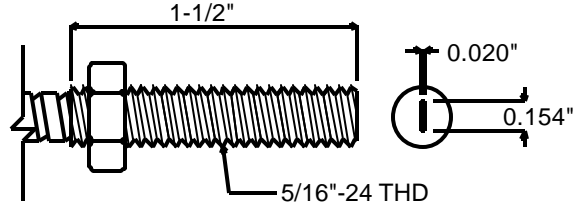
OPPOSED CONSTRUCTIONS WITH BANNER INPUT

1/16" BUNDLE CONFIGURATIONS CONTINUED

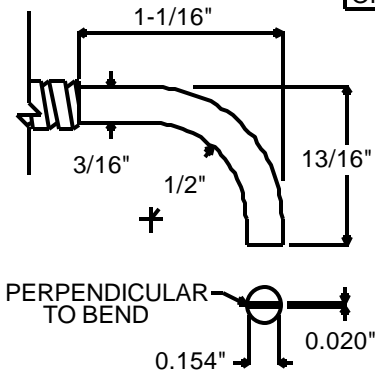
| | | | |
|------------|----|----|-----|
| ORDER CODE | S6 | 24 | FLB |
| | S6 | 36 | FLB |
| | S6 | 72 | FLB |



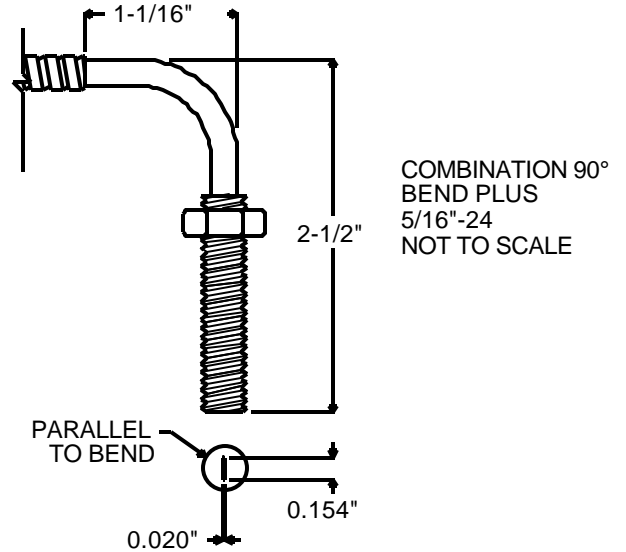
| | | | |
|------------|----|----|----|
| ORDER CODE | S6 | 24 | FT |
| | S6 | 36 | FT |
| | S6 | 72 | FT |



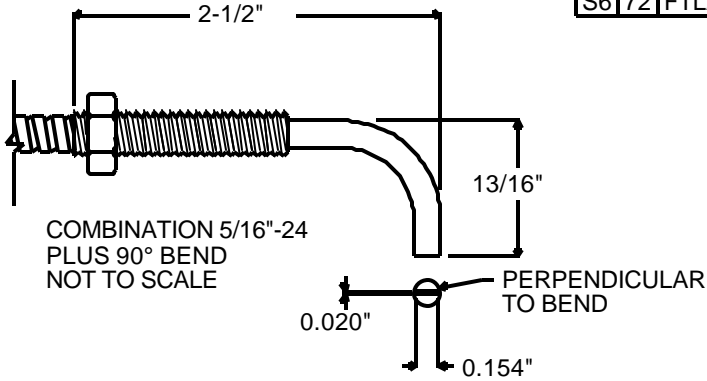
| | | | |
|------------|----|----|-----|
| ORDER CODE | S6 | 24 | FLA |
| | S6 | 36 | FLA |
| | S6 | 72 | FLA |



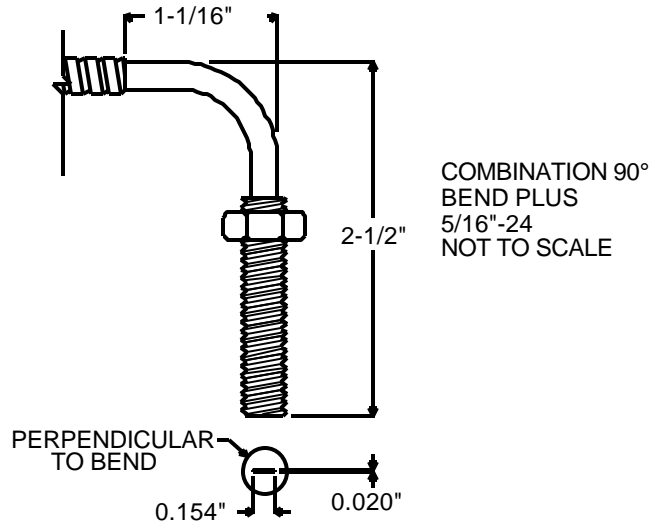
| | | | |
|------------|----|----|------|
| ORDER CODE | S6 | 24 | FLTB |
| | S6 | 36 | FLTB |
| | S6 | 72 | FLTB |



| | | | |
|------------|----|----|------|
| ORDER CODE | S6 | 24 | FTLA |
| | S6 | 36 | FTLA |
| | S6 | 72 | FTLA |



| | | | |
|------------|----|----|------|
| ORDER CODE | S6 | 24 | FLTA |
| | S6 | 36 | FLTA |
| | S6 | 72 | FLTA |



| | | | |
|------------|----|----|------|
| ORDER CODE | S6 | 24 | FTLB |
| | S6 | 36 | FTLB |
| | S6 | 72 | FTLB |

