

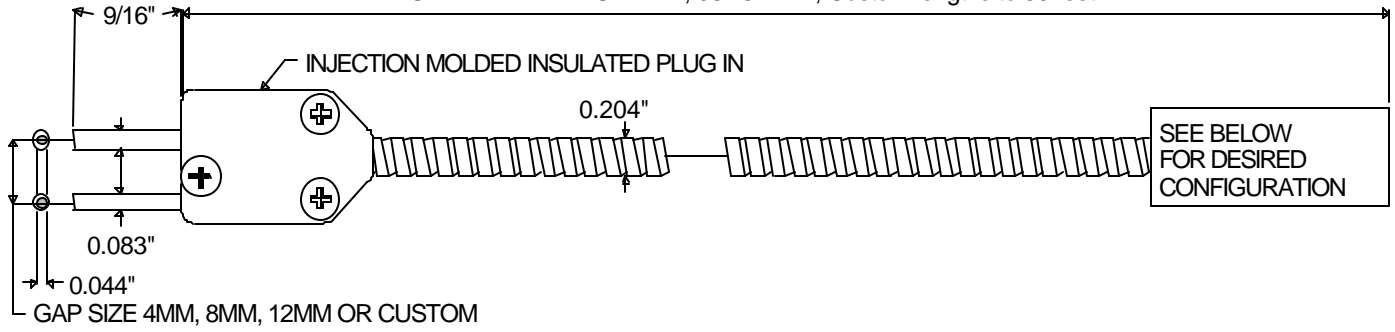
We have developed a line of glass fiber optic assemblies that will add American availability and customizing to the Japanese photo-electric controls that were designed for the plastic 1mm fiber with 2.2mm diameter poly jacketing. Since not all applications can be serviced by plastic, glass fibers have their place where heat, and solvents would damage the plastic fibers, or where high mechanical strengths are needed. Utilizing tooling and apertures from our previous designs for large diameter American photoelectrics, we have increased the fiber bundle diameter to 1/16", adding more sensing power than 1mm glass by approximately 50% and as a bonus we have geometry's with American threads and dimensions. Some customers have a very negative opinion of fragile looking plastic scanners. Here we have stainless steel metal hose construction with a neat plug-in unit that solves many applications that might have soured with plastic. Our injection molded plug-in acts as an insulator to preclude any "antenna effect". Please remember to specify the distance between the light emitting and light receiving ports on your photoelectric control.

Order code DJ6-24-FH is available as a low cost high volume injection molded part and provides excellent alignment accuracy.

REFLECTIVE CONSTRUCTIONS FOR JAPANESE PHOTOELECTRIC SENSORS

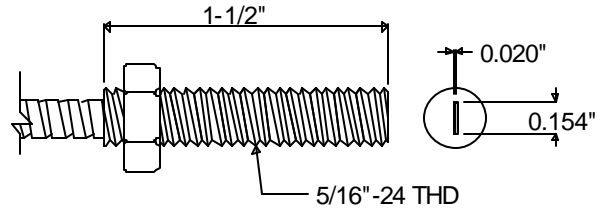
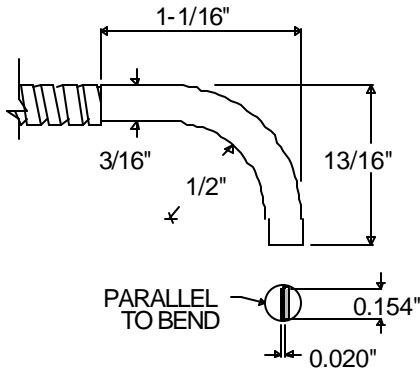
FITS OMRON E3X-A11, MICRO SWITCH FE5F-1MC6-M, MITSUBISHI RAYON, OPCON, OPTEX, SUNX, ETC.
 UNLESS OTHERWISE NOTED, ILLUSTRATIONS ARE FULL SCALE, DIMENSIONS ARE IN INCHES
 BUNDLE DIAMETER: 1/16"

STANDARD LENGTH 24", 36" OR 72", Custom lengths to 30 feet



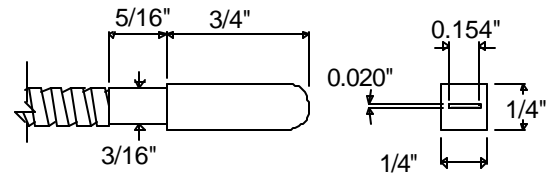
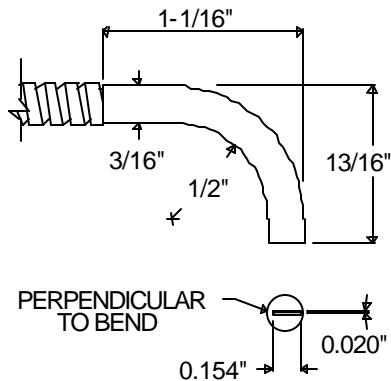
ORDER CODE FORMAT	DJ6	LENGTH	CONFIGURATION
		ORDER CODE	DJ6 24 FLB
			DJ6 36 FLB
			DJ6 72 FLB

ORDER CODE	DJ6	24	FT
		DJ6	36 FT
		DJ6	72 FT



ORDER CODE	DJ6	24	FLA
		DJ6	36 FLA
		DJ6	72 FLA

ORDER CODE	DJ6	24	FH
		DJ6	36 FH
		DJ6	72 FH



1/16" BUNDLE CONFIGURATIONS CONTINUED PAGE 23

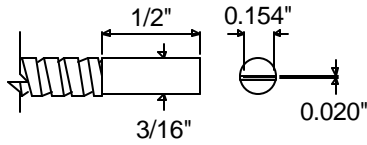
REFLECTIVE CONSTRUCTIONS FOR JAPANESE PHOTOELECTRIC SENSORS

These scanners are a continuation from the previous page with additional shapes to solve mounting/sensing problems.

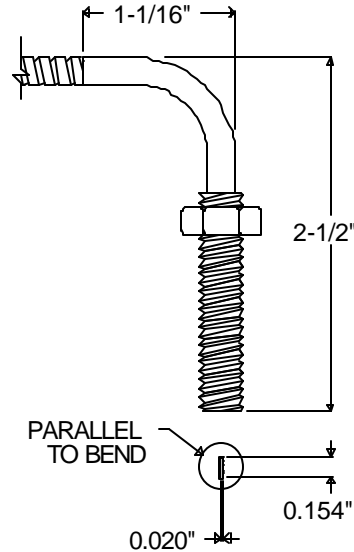
REFLECTIVE CONSTRUCTIONS FOR JAPANESE PHOTOELECTRIC SENSORS

FITS OMRON E3X-A11, MICRO SWITCH FE5F-1MC6-M, MITSUBISHI RAYON, OPCON, OPTEX, SUNX, ETC.
 1/16" BUNDLE CONFIGURATIONS CONTINUED

ORDER CODE	DJ6	24	FS
	DJ6	36	FS
	DJ6	72	FS

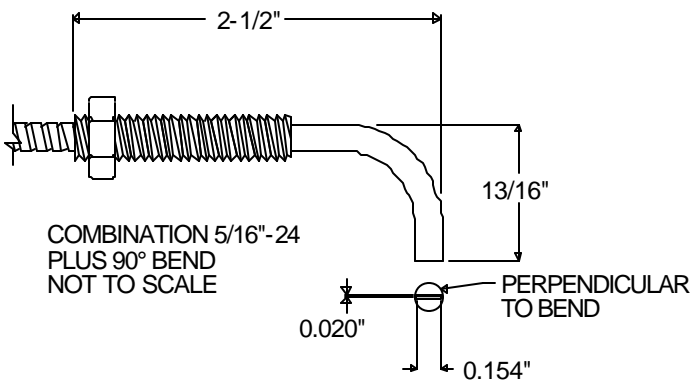


ORDER CODE	DJ6	24	FLTB
	DJ6	36	FLTB
	DJ6	72	FLTB



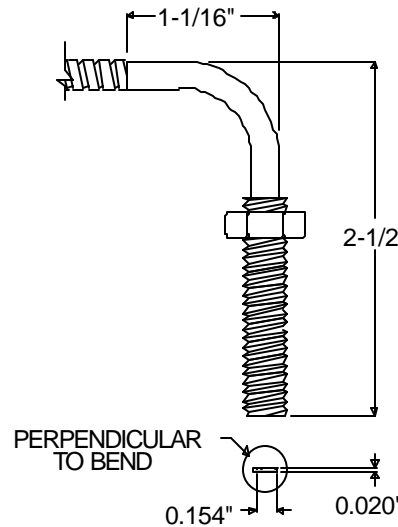
COMBINATION 90°
 BEND PLUS
 5/16"-24
 NOT TO SCALE

ORDER CODE	DJ6	24	FLA
	DJ6	36	FLA
	DJ6	72	FLA



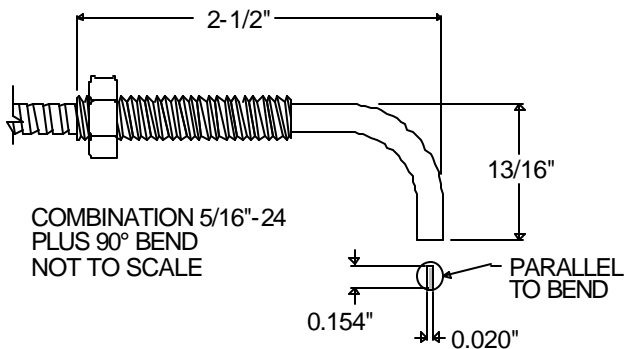
COMBINATION 5/16"-24
 PLUS 90° BEND
 NOT TO SCALE

ORDER CODE	DJ6	24	FLTA
	DJ6	36	FLTA
	DJ6	72	FLTA



COMBINATION 90°
 BEND PLUS
 5/16"-24
 NOT TO SCALE

ORDER CODE	DJ6	24	FTLB
	DJ6	36	FTLB
	DJ6	72	FTLB



COMBINATION 5/16"-24
 PLUS 90° BEND
 NOT TO SCALE

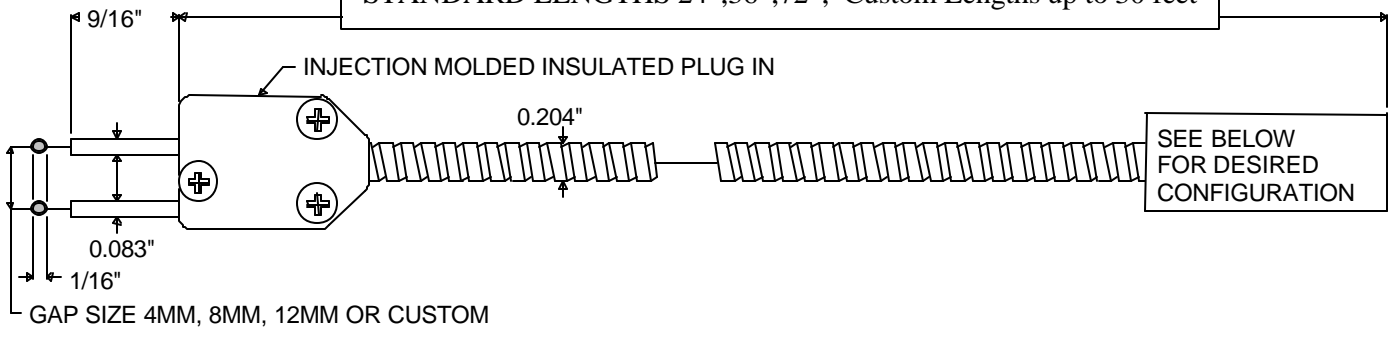
REFLECTIVE CONSTRUCTIONS FOR JAPANESE PHOTOELECTRIC SENSORS

Order Code DJ088-24-L shows a enlarged bundle detail typical of all configurations this page. The actual bundle size is 0.088" which is enlarged to allow for the 0.008" brass divider separating the light emitting and light receiving fibers. This division of the fibers solves the problem of the photoelectric control receiving a false detection at higher sensitivity's.

REFLECTIVE CONSTRUCTIONS FOR JAPANESE PHOTOELECTRIC SENSORS

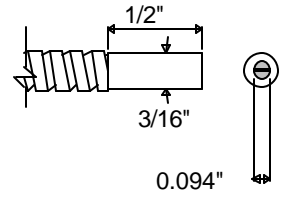
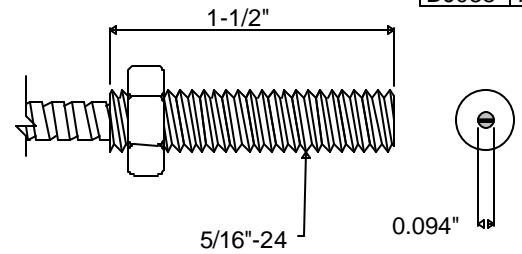
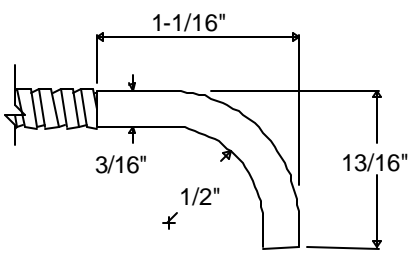
FITS OMRON E3X-A11, MICRO SWITCH FE5F-1MC6-M, MITSUBISHI RAYON, OPCON, OPTEX, SUNX, ETC.
UNLESS OTHERWISE NOTED, ILLUSTRATIONS ARE FULL SCALE, DIMENSIONS ARE IN INCHES
BUNDLE DIAMETER: 0.088"

STANDARD LENGTHS 24", 36", 72", Custom Lengths up to 30 feet

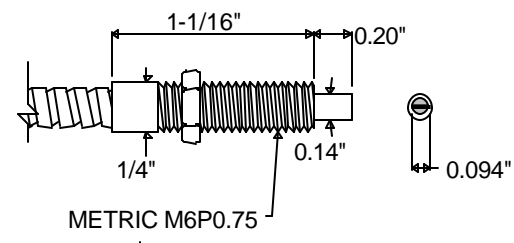
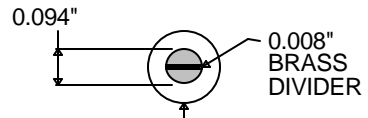


ORDER CODE FORMAT	DJ088	LENGTH	CONFIGURATION
-------------------	-------	--------	---------------

ORDER CODE	DJ088	24	L	ORDER CODE	DJ088	24	AT	ORDER CODE	DJ088	24
	DJ088	36	L		DJ088	36	AT		DJ088	36
	DJ088	72	L		DJ088	72	AT		DJ088	72



ORDER CODE	DJ088	24	MT6
	DJ088	36	MT6
	DJ088	72	MT6



ENLARGED END DETAIL
TYPICAL ALL CONFIGURATIONS

COMBINATION 90° BEND PLUS 5/16"-24 NOT TO SCALE	ORDER CODE	DJ088	24	LT	COMBINATION 5/16"-24 PLUS 90° BEND NOT TO SCALE	ORDER CODE	DJ088	24	TL
		DJ088	36	LT			DJ088	36	TL
		DJ088	72	LT			DJ088	72	TL

