

## REFLECTIVE CONSTRUCTIONS WITH BANNER INPUT

---

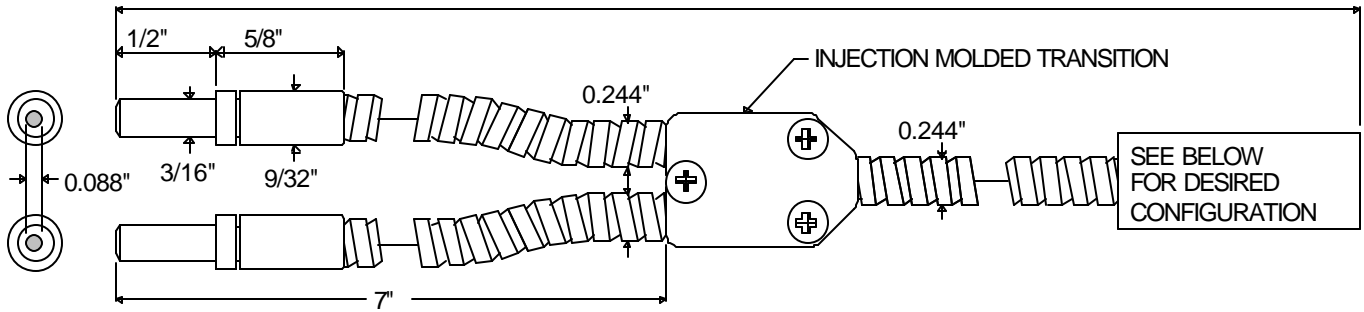
All of our reflective constructions come standard with our injection molded transition see page 1 for explanation.

Order codes D8-24-FM, D8-24-F are designed for edge detection and are available as a injection molded construction for high volume low cost applications.

# REFLECTIVE CONSTRUCTIONS WITH BANNER INPUT

UNLESS OTHERWISE NOTED, ILLUSTRATIONS ARE FULL SCALE, DIMENSIONS ARE IN INCHES  
 BUNDLE DIAMETER: 1/8"

STANDARD LENGTH 24", 36", OR 72"  
 Custom Lengths up to 30 feet



ORDER CODE FORMAT	D8	LENGTH	CONFIGURATION																																				
	<table border="1"> <tr><td>ORDER CODE</td><td>D8</td><td>24</td><td>L</td></tr> <tr><td></td><td>D8</td><td>36</td><td>L</td></tr> <tr><td></td><td>D8</td><td>72</td><td>L</td></tr> </table>	ORDER CODE	D8	24	L		D8	36	L		D8	72	L	<table border="1"> <tr><td>ORDER CODE</td><td>D8</td><td>24</td><td>T</td></tr> <tr><td></td><td>D8</td><td>36</td><td>T</td></tr> <tr><td></td><td>D8</td><td>72</td><td>T</td></tr> </table>	ORDER CODE	D8	24	T		D8	36	T		D8	72	T	<table border="1"> <tr><td>ORDER CODE</td><td>D8</td><td>24</td><td>F</td></tr> <tr><td></td><td>D8</td><td>36</td><td>F</td></tr> <tr><td></td><td>D8</td><td>72</td><td>F</td></tr> </table>	ORDER CODE	D8	24	F		D8	36	F		D8	72	F
ORDER CODE	D8	24	L																																				
	D8	36	L																																				
	D8	72	L																																				
ORDER CODE	D8	24	T																																				
	D8	36	T																																				
	D8	72	T																																				
ORDER CODE	D8	24	F																																				
	D8	36	F																																				
	D8	72	F																																				
	<table border="1"> <tr><td>ORDER CODE</td><td>D8</td><td>24</td><td>FM</td></tr> <tr><td></td><td>D8</td><td>36</td><td>FM</td></tr> <tr><td></td><td>D8</td><td>72</td><td>FM</td></tr> </table>	ORDER CODE	D8	24	FM		D8	36	FM		D8	72	FM	<table border="1"> <tr><td>ORDER CODE</td><td>D8</td><td>24</td><td>T</td></tr> <tr><td></td><td>D8</td><td>36</td><td>T</td></tr> <tr><td></td><td>D8</td><td>72</td><td>T</td></tr> </table>	ORDER CODE	D8	24	T		D8	36	T		D8	72	T	<table border="1"> <tr><td>ORDER CODE</td><td>D8</td><td>24</td><td>F</td></tr> <tr><td></td><td>D8</td><td>36</td><td>F</td></tr> <tr><td></td><td>D8</td><td>72</td><td>F</td></tr> </table>	ORDER CODE	D8	24	F		D8	36	F		D8	72	F
ORDER CODE	D8	24	FM																																				
	D8	36	FM																																				
	D8	72	FM																																				
ORDER CODE	D8	24	T																																				
	D8	36	T																																				
	D8	72	T																																				
ORDER CODE	D8	24	F																																				
	D8	36	F																																				
	D8	72	F																																				
<p>COMBINATION 90° BEND PLUS 5/16"-24 THREAD NOT TO SCALE</p>	<table border="1"> <tr><td>ORDER CODE</td><td>D8</td><td>24</td><td>LT</td></tr> <tr><td></td><td>D8</td><td>36</td><td>LT</td></tr> <tr><td></td><td>D8</td><td>72</td><td>LT</td></tr> </table>	ORDER CODE	D8	24	LT		D8	36	LT		D8	72	LT	<table border="1"> <tr><td>ORDER CODE</td><td>D8</td><td>24</td><td>TL</td></tr> <tr><td></td><td>D8</td><td>36</td><td>TL</td></tr> <tr><td></td><td>D8</td><td>72</td><td>TL</td></tr> </table>	ORDER CODE	D8	24	TL		D8	36	TL		D8	72	TL	<table border="1"> <tr><td>ORDER CODE</td><td>D8</td><td>24</td><td>TL</td></tr> <tr><td></td><td>D8</td><td>36</td><td>TL</td></tr> <tr><td></td><td>D8</td><td>72</td><td>TL</td></tr> </table>	ORDER CODE	D8	24	TL		D8	36	TL		D8	72	TL
ORDER CODE	D8	24	LT																																				
	D8	36	LT																																				
	D8	72	LT																																				
ORDER CODE	D8	24	TL																																				
	D8	36	TL																																				
	D8	72	TL																																				
ORDER CODE	D8	24	TL																																				
	D8	36	TL																																				
	D8	72	TL																																				
<p>COMBINATION 5/16"-24 THREAD PLUS 90° BEND NOT TO SCALE</p>																																							

## REFLECTIVE CONSTRUCTIONS WITH BANNER INPUT

---

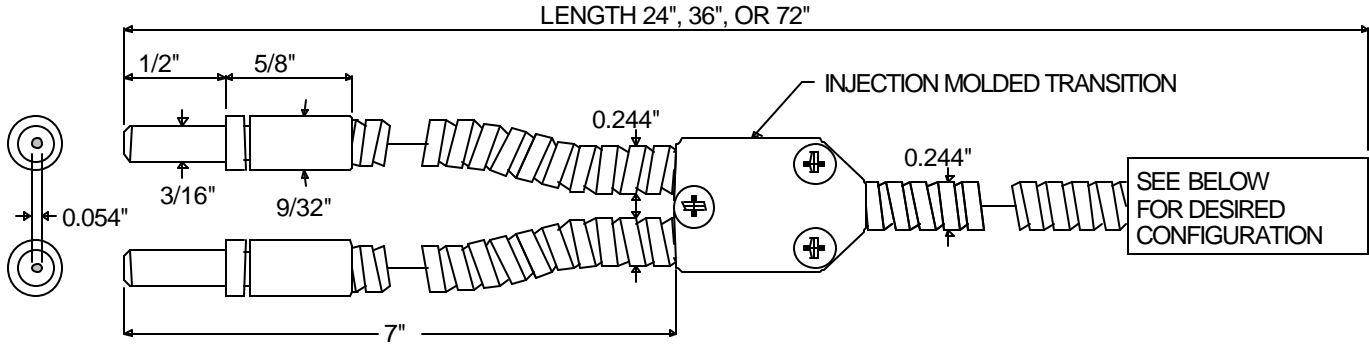
Order codes D071-24-S, D071-24-L, D071-24-B can be lengthened or shortened to meet your specific requirements. These smaller bundle diameters stuffed in stainless hypodermic needle tubing allow approach to difficult sensing areas and are optimized for small targets.

Order code D6-24-FS is a small rectangular fiber optic aperture that is very effective at sensing small rectangular web marks or for discerning subtle pastel colors against a low contrast web background.

Order code D6-24-FH offers the same advantages as above. Many customers prefer this injection molded termination that allows excellent alignment accuracy when clamped on the 3/16" diameter. This item is also made for volume applications.

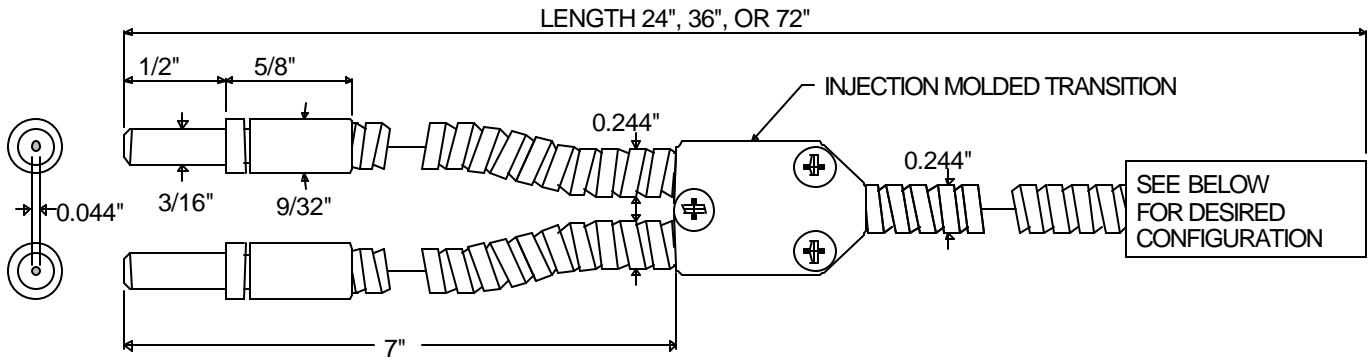
# REFLECTIVE CONSTRUCTIONS WITH BANNER INPUT

UNLESS OTHERWISE NOTED, ILLUSTRATIONS ARE FULL SCALE, DIMENSIONS ARE IN INCHES  
 BUNDLE DIAMETER: 0.071"



ORDER CODE FORMAT	D071	LENGTH	CONFIGURATION
		ORDER CODE	D071 24 S
			D071 36 S
			D071 72 S
		ORDER CODE	D071 24 B
			D071 36 B
			D071 72 B
		ORDER CODE	D071 24 L
			D071 36 L
			D071 72 L

BUNDLE DIAMETER: 1/16"



ORDER CODE FORMAT	D6	LENGTH	CONFIGURATION
		ORDER CODE	D6 24 FS
			D6 36 FS
			D6 72 FS
		ORDER CODE	D6 24 FH
			D6 36 FH
			D6 72 FH

1/16" BUNDLE CONFIGURATIONS CONTINUED PAGE 19

## REFLECTIVE CONSTRUCTIONS WITH BANNER INPUT

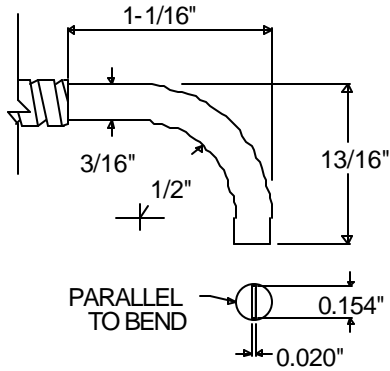
---

This page is a continuation of useful rectangular apertures to help solve those "insitu" mounting problems. Please note the different position of the rectangular aperture while maintaining the same exterior shape. For example order code D6-24-FLA has a vertical rectangular aperture while order code D6-24-FLB has a horizontal.

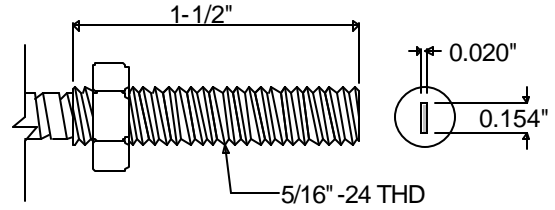
# REFLECTIVE CONSTRUCTIONS WITH BANNER INPUT

1/16" BUNDLE CONFIGURATIONS CONTINUED

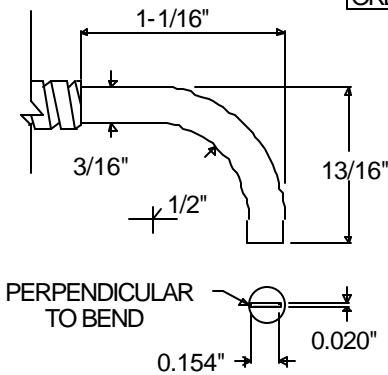
ORDER CODE	D6	24	FLB
	D6	36	FLB
	D6	72	FLB



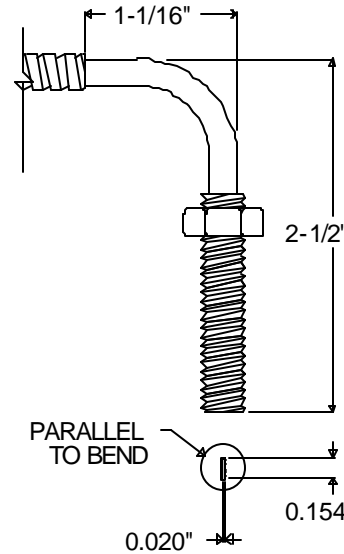
ORDER CODE	D6	24	FT
	D6	36	FT
	D6	72	FT



ORDER CODE	D6	24	FLA
	D6	36	FLA
	D6	72	FLA

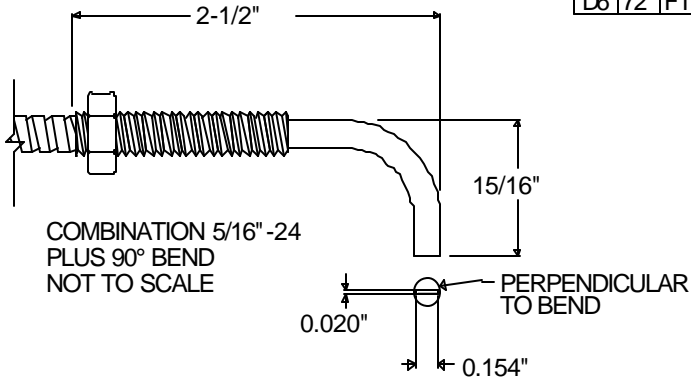


ORDER CODE	D6	24	FLTB
	D6	36	FLTB
	D6	72	FLTB



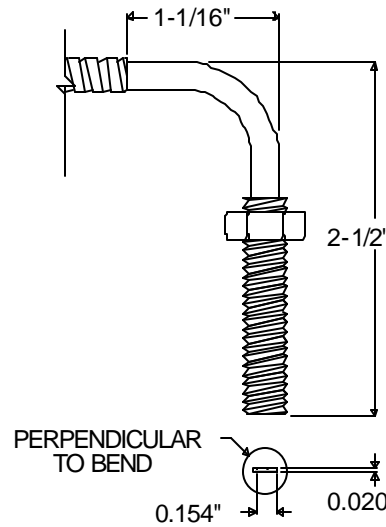
COMBINATION 90° BEND PLUS 5/16"-24 THREAD NOT TO SCALE

ORDER CODE	D6	24	FTLA
	D6	36	FTLA
	D6	72	FTLA



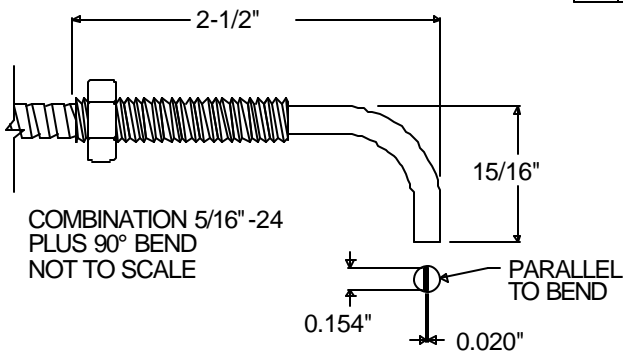
COMBINATION 5/16"-24 PLUS 90° BEND NOT TO SCALE

ORDER CODE	D6	24	FLTA
	D6	36	FLTA
	D6	72	FLTA



COMBINATION 90° BEND PLUS 5/16"-24 THREAD NOT TO SCALE

ORDER CODE	D6	24	FTLB
	D6	36	FTLB
	D6	72	FTLB



COMBINATION 5/16"-24 PLUS 90° BEND NOT TO SCALE